

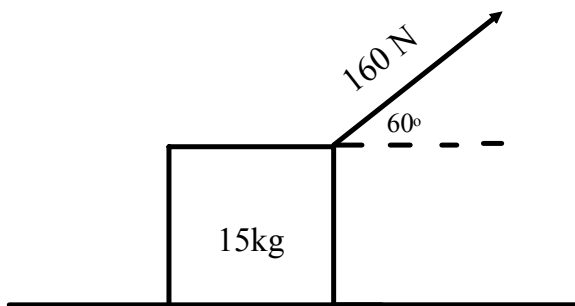
Remember...

$$\vec{F}_{\text{net}} = m\vec{a}$$

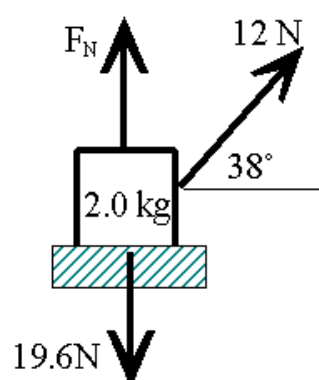
F_{net} is the total unbalanced Force.

Remember finding the net Force...

Ex 1: Find the acceleration in the "x" direction.



Ex 2: Find the acceleration in the "x" direction if $\mu_K = 0.250$



Ex 3: If the object is moving with uniform motion, find μ_k

