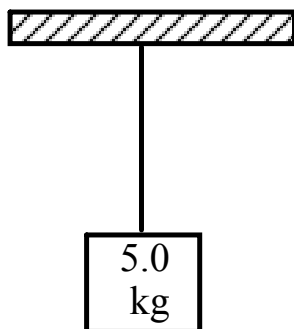


Applications of Newton's Laws

Hanging Picture Problems

When $F_{\text{net}} = 0$ the problems are sometimes called "statics" problems

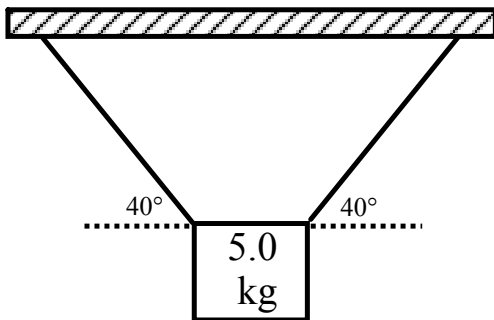
Ex 1: Find the tension, T , in the string. ** note that there is no normal force*



Ex 2: Find the tension, T , in **each** string.



Ex 3: Find the tension, T , in **each** string.



$$T = 38 \text{ N}$$

As the angle θ goes to zero, (the strings go almost horizontal) the Tension increases dramatically.

Ex 4: Find the tension, T , in **each** string. Note that each will be different.

