

The image is a screenshot of a web browser window. At the top left, the address bar contains the text "sk?!.com". In the center of the page, there is a horizontal loading bar that is currently empty, with the text "0%" on the left and "0 of 77.609 Kb" on the right. At the bottom left, there is a logo for "SMART Technologies Inc.". At the bottom right, there is a logo for "Supporting Education intel".

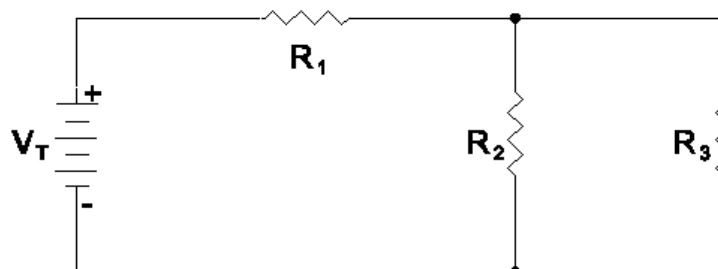


Electric circuits can be connected in 2 ways.

In a **series circuit** there is only one path for electrons to follow in completing their path back to the battery.

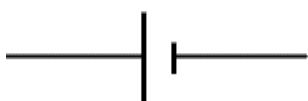
In a **parallel circuit** there is more than one path for electrons to follow in completing their path back to the battery.

Most circuits are combinations of series and parallel connections.



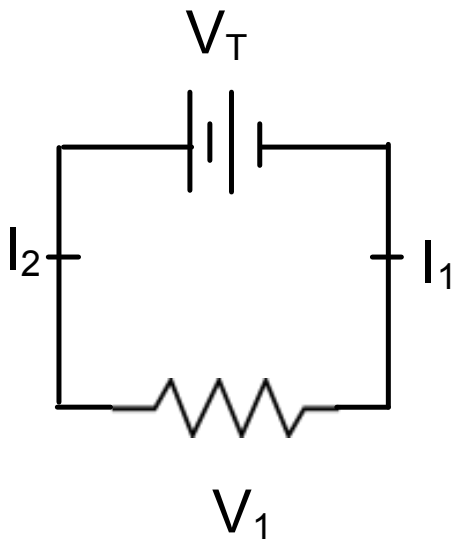
Drawing Circuit diagrams...

The following symbols are used in circuit diagrams:



Activity: Current and Voltage in Series and Parallel Circuits

Part 1 : SERIES CIRCUITS

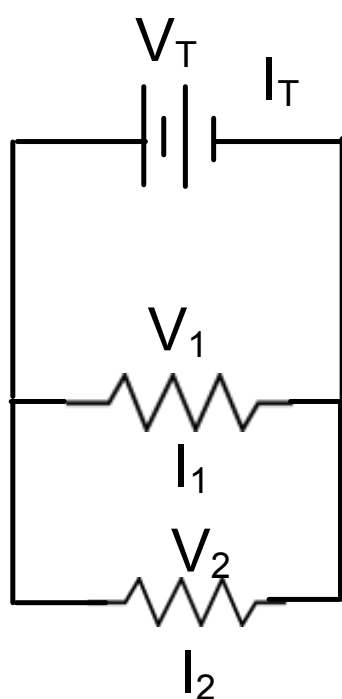


$$V_T =$$

$$I_1 =$$

$$V_1 =$$

$$I_2 =$$

Part 2 : PARALLEL CIRCUITS

$V_T =$

$I_T =$

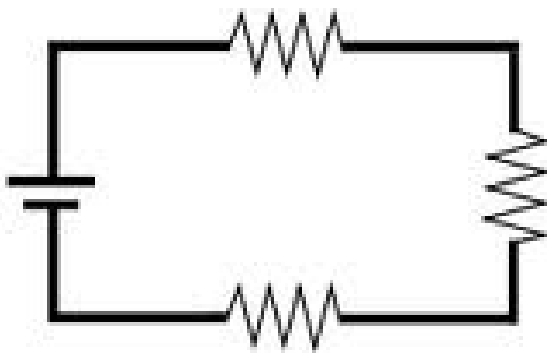
$V_1 =$

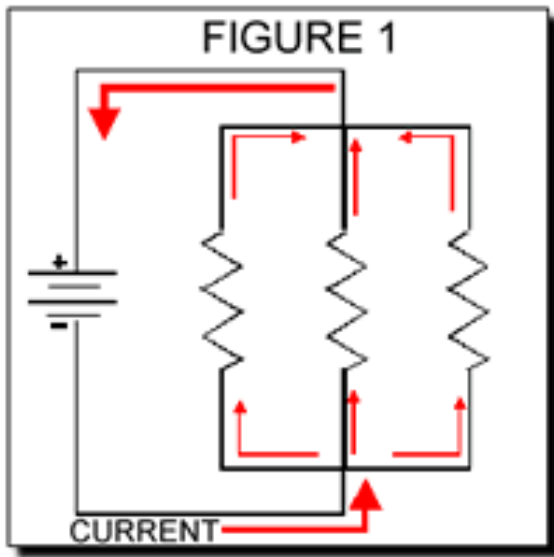
$I_1 =$

$V_2 =$

$I_2 =$

	Series Circuits	Parallel Circuits
Voltage		
Current		





Series-parallel