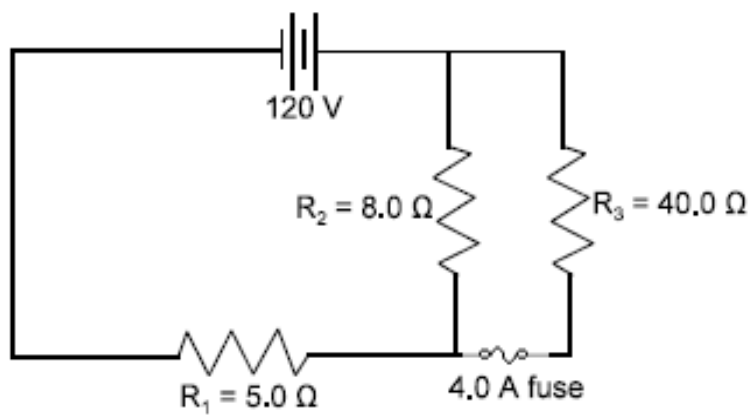
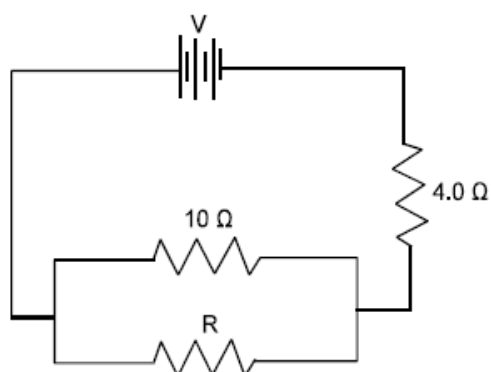


Solve the circuit below.

iii) determine whether the fuse will blow.

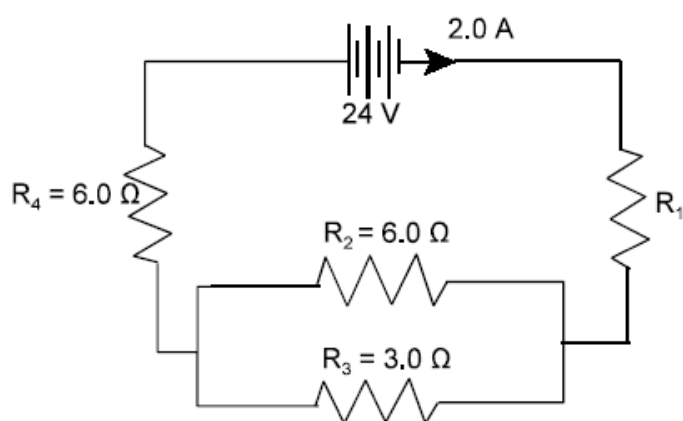


What value of R in the circuit below will cause the parallel combination to dissipate the same power as the $4.0\ \Omega$ resistor?



- (A) $0.26\ \Omega$
- (B) $2.9\ \Omega$
- (C) $6.0\ \Omega$
- (D) $6.7\ \Omega$

52.(c) In the circuit shown, calculate:

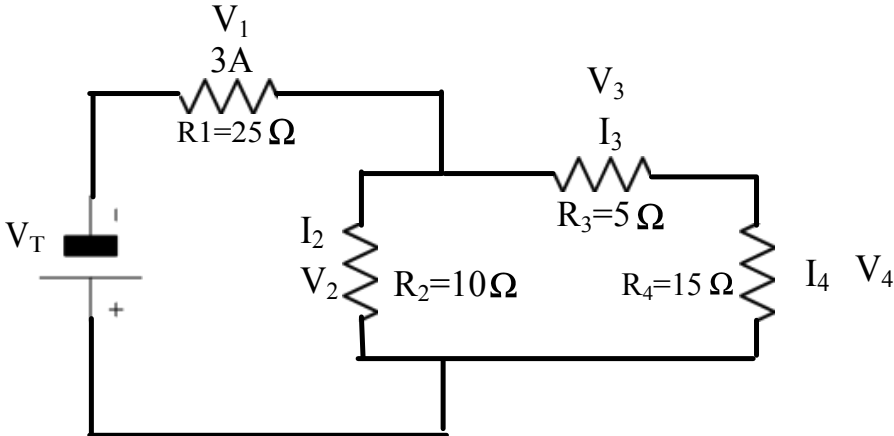


iii) the power dissipated in R_3 .

i) the voltage for R_4 .

ii) the value of R_1 .





Page 622 #35(d)

